

## Concealed ceiling installation box for surface-mounted ceiling installation -

---

35 041 970



- concealed rough parts
- 2x female thread 1/2" connections
- For simultaneous control of the jet types, we recommend the xTool thermostat module
- Not suitable for use in a steam room.



## Concealed ceiling installation box for surface-mounted ceiling installation -

---

35 041 970

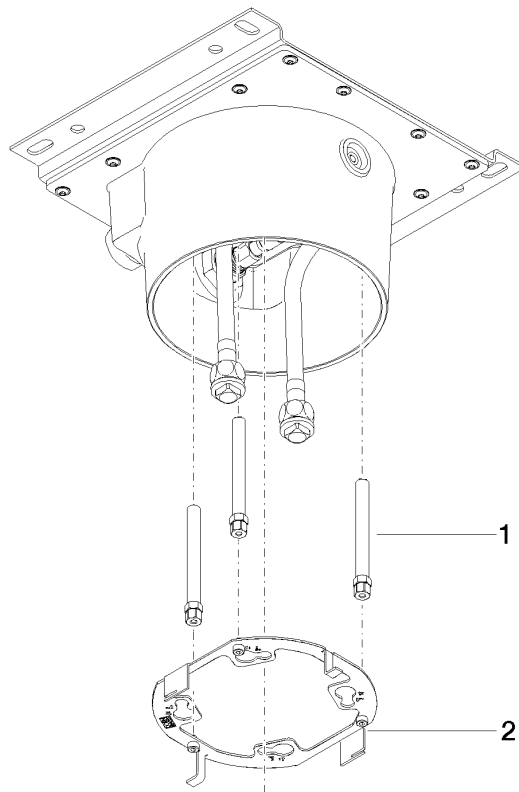
### Certificates

---

IAPMO\_4976 (7).

**Concealed ceiling installation box for surface-mounted ceiling installation -**

35 041 970



**Spare parts list**

No.	Item Number	Name	Quantity used	Delivery time
1	90 30 30 208 00 90	screw	1	2
2	90 17 20 239 00 90	flange	1	2